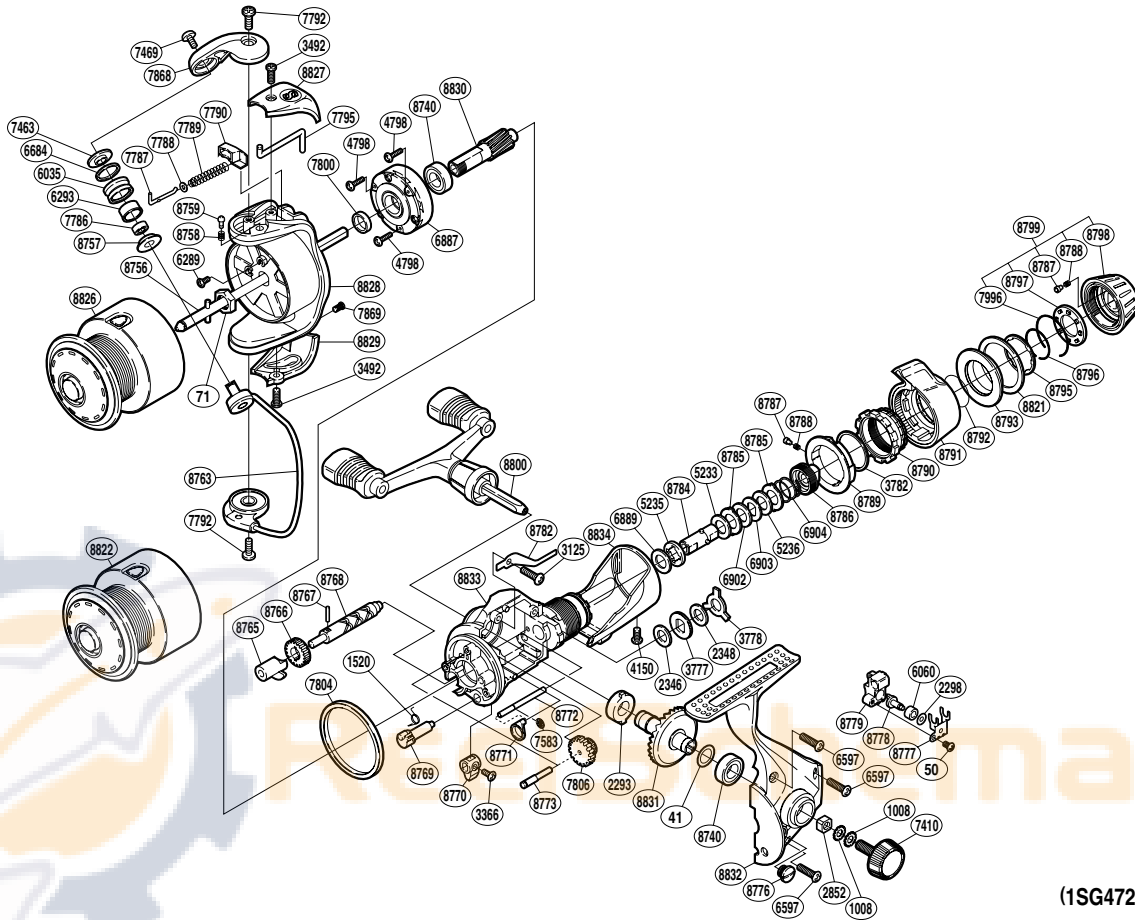


SHIMANO®

SUPER

SUPER-2500GTMRA



(1SG472501G)

Part No.	Description	Part No.	Description	Part No.	Description
RD 0041	Drive Gear Washer	RD 7410	Handle Screw Cap	RD 8776	Oil Cap
RD 0071	Rotor Nut	RD 7463	Line Roller Washer	RD 8777	Oscillating Slider Retainer
RD 1008	Handle Lock Washer	RD 7469	Line Roller Screw	RD 8778	Oscillating Pawl
RD 1520	Anti-Reverse Cam Spring	RD 7583	"E" Lock	RD 8779	Oscillating Slider
RD 2293	Drive Gear Bushing	RD 7786	Ball Bearing	RD 8782	Drag Click
RD 2298	Spacer	RD 7787	Bail Spring Guide (A)	RD 8784	Drag Shaft (A)
RD 2346	Drag Washer "C" (cloth)	RD 7788	Spring Guide (A) Support	RD 8785	Eared Washer "B"
RD 2348	Drag Washer "C" (blue)	RD 7789	Bail Spring	RD 8786	Pressure Screw
RD 2852	Handle Screw Lock	RD 7790	Bail Spring Seat	RD 8787	Click Pin (B)
RD 3125	Drag Click Screw	RD 7792	Multi-Purpose Screw	RD 8788	Click Spring (B)
RD 3366	Anti-Reverse Lever Screw	RD 7795	Bail Trip Lever	RD 8789	Lever Click Gear
RD 3492	Protector Screw (A)	RD 7800	Rotor Ring	RD 8790	Fightin' Pressure Screw
RD 3777	Click Gear	RD 7804	Friction Ring	RD 8791	Fightin' Lever
RD 3778	Eared Washer "B"	RD 7806	Idle Gear (B)	RD 8792	Drag Knob Friction Ring
RD 3782	Fightin' Pressure Screw Washer	RD 7868	Bail Arm	RD 8793	Drag Programmer (B)
RD 4150	Rear Protector Screw	RD 7869	Protector Screw (B)	RD 8795	Drag Knob Washer
RD 4675	Slider Retainer Screw	RD 7996	Click Plate Retainer	RD 8796	Drag Knob Retainer
RD 4798	Roller Clutch Screw	RD 8740	Ball Bearing	RD 8797	Click Plate
RD 5233	Drag Washer "H" (cloth)	RD 8756	Main Shaft	RD 8798	Drag Programmer (A)
RD 5235	Drag Shaft (B)	RD 8757	Bearing Spacer	RD 8799	Drag Programmer Assembly
RD 5236	Drag Washer "H" (white plastic)	RD 8758	Click Spring (A)	RD 8800	Double Paddle Handle Assembly
RD 6035	Line Roller	RD 8759	Click Pin (A)	RD 8821	Drag Programmer Ring
RD 6060	Oscillating Slider Bushing	RD 8763	Bail Assembly	RD 8822	Spool Assembly (graphite)
RD 6289	Nut Lock Screw	RD 8765	Worm Bushing (front)	RD 8826	Spool Assembly (aluminum)
RD 6293	Line Roller Bushing	RD 8766	Idle Gear	RD 8827	Bail Spring Cover
RD 6597	Side Cover Screw	RD 8767	Worm Shaft Pin	RD 8828	Rotor
RD 6684	Line Roller Spacer	RD 8768	Worm Shaft	RD 8829	Bail Hold Support Guard
RD 6887	Roller Clutch Assembly	RD 8769	Anti-Reverse Cam	RD 8830	Pinion Gear
RD 6899	Drag Washer "C" (cloth)	RD 8770	Anti-Reverse Lever	RD 8831	Drive Gear
RD 6902	Drag Washer "F" (white plastic)	RD 8771	Oscillating Guide Retainer	RD 8832	Side Cover
RD 6903	Key Washer "A"	RD 8772	Oscillating Guide	RD 8833	Body
RD 6904	Drag Coil Spring	RD 8773	Idle Gear (B) Shaft	RD 8834	Rear Protector

(150725)